



Theia

TECHNOLOGIES

SY110A Megapixel Lens Ultra-wide - Day/Night - No Distortion



120° without Distortion



LINEAR OPTICAL TECHNOLOGY

- ❖ **Ultra wide** horizontal field of view up to 120° provides greater security
- ❖ Patented Linear Optical Technology® enables **no barrel distortion** for maximum resolution
- ❖ IR corrected for **Day/Night** cameras
- ❖ Supports **multi megapixel resolution** cameras for demanding applications
- ❖ Near and far objects **continuously in focus** without lens adjustment



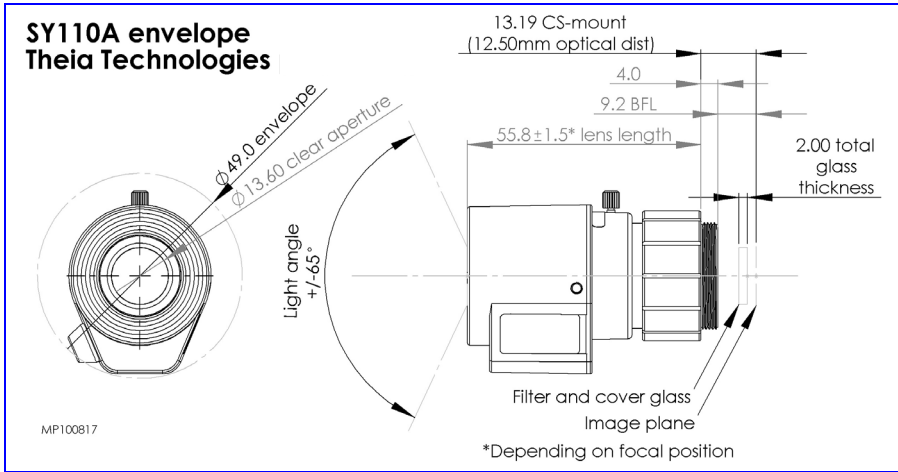
Typical wide angle lens

Lens	SY110A		
Mount type	CS-mount		
Iris type	DC autoiris		
Focal length	1.67mm		
Linear Optical Technology®	Yes (Note: this technology causes the image to be flipped)		
Distortion	<1%		
Resolution	Up to 3MPix resolution		
F/#	F/1.8 to close		
IR Correction	Day/Night		
Lens Length to Mount	56 mm		
Lens Length (TTL)	68.3 mm		

Sensor size	1/4"	1/3"	1/2.5" **
Field of view (H)	94°	110°	120°
Field of view (V)	78°	94°	104°
Field of view (D)	107°	122°	130°

*Available by special request, MOQ 500

**Some vignetting may occur using a 1/2.5" sensor is sensor is not well aligned in the camera.



For more information contact:

Theia Technologies
 info@TheiaTech.com
www.TheiaTech.com
 Phone: +1-503-570-3296

Revisions

Revision	Change	Reason
210929	Changed to lens specific specification	
240410	Added Lens Length to Mount	Clarifying lens length